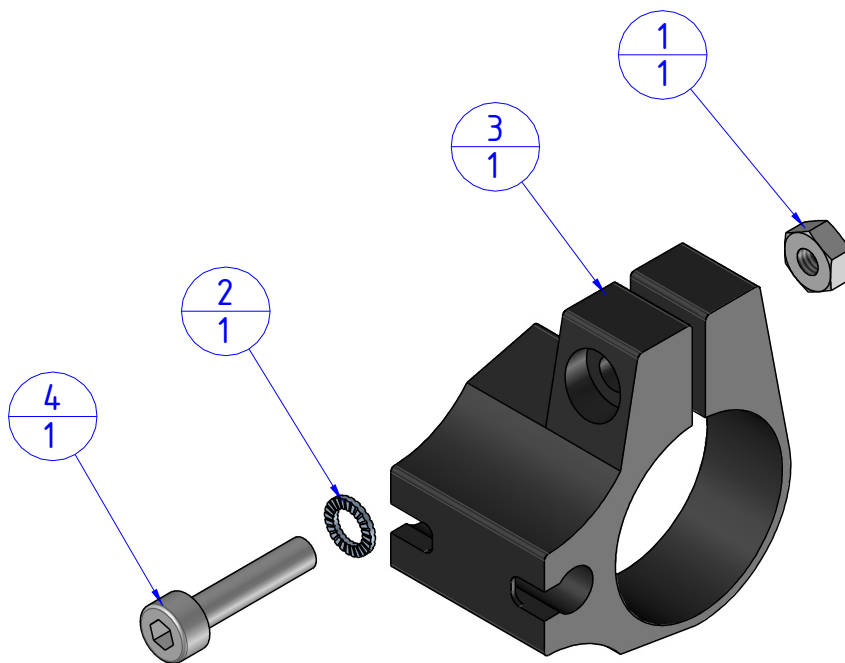
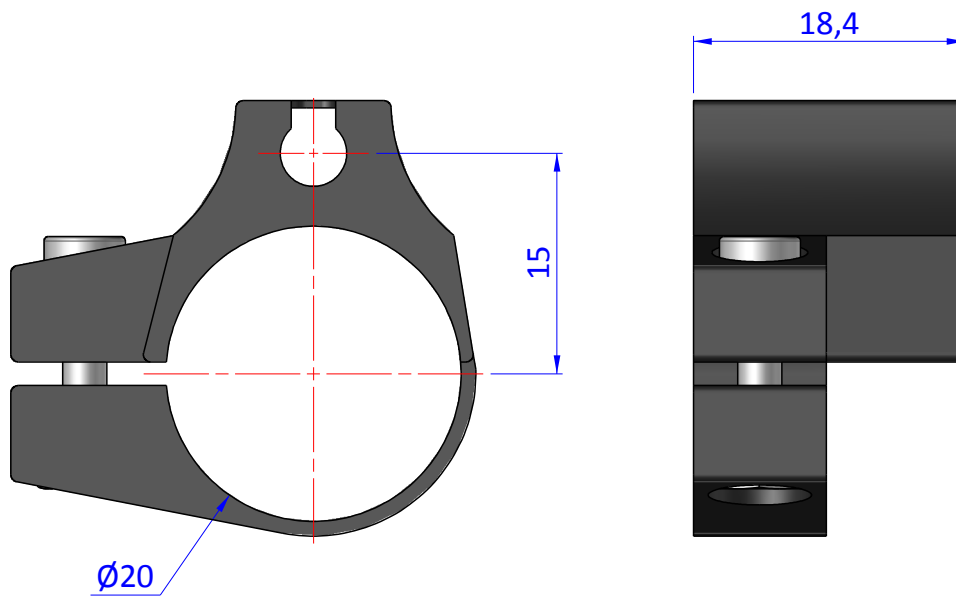

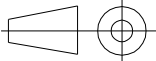


THE PROPERTY OF THE DRAWING IS ESTABLISHED BY LAW. IT IS FORBIDDEN TO PRODUCE OR SHOW IT TO THIRD PART. WITHOUT A WRITTEN AGREEMENT.

Item	Name	Q.ty
1	D.3	1
2	R.3.SCH	1
3	TIK.20058	1
4	V.TCE3x14	1



<b>Format A4</b> <b>UNI 936-76</b>	 <b>FPS</b> FPSERVICES AUTOMATION			DESIGNED FROM <b>FPS Automation</b>	REVIEW <b>A</b>
	GENERAL TOLERANCE UNI - ISO 2768 CLASSE f	DESCRIPTION  <b>CA.TIK.20058</b>		DATE <b>14/05/2019</b>	WEIGHT <b>0,005kg</b>
				CODE <b>CA.TIK.20007</b>	